

ROLLAC					DuraComfort A200-R System Specifica															
Recommended Opening Width 2' - 10' With Motor 3' - 12'	Recommended Opening Height Manual 2' - 10' Motor 3'-12'	Recommended Maximum SQ. FT. Manual 95 Motor 150	Curtain Weight 1,045 LBS SQ. FT.	Profile Height 2.17"	Operator Options															
					Gear	Motor	Motor Override	Remote Control	RTS Override											
Housing Size (A) vs. FM Shutter Height																				
					4.5	5	5.5	6	6.5	7	7.5	8	8.5	9	9.5	10	10.5	11	11.5	12



System Specification Sheets
DuraComfort A200-R 55mm Slat Profile

ROLLAC 2017

System Specifications

VERSION 04.06.17

To place an order please call:

(888) 2-ROLLAC (276-5522)

For more information please call:

(281) 485-1911 (local)

To find out more about our company or our products,

please visit our website: www.rollac.com.

email: architects@rollac.com

Copyright 2017, Rollac Shutter of Texas, Inc.

All rights reserved. No part of this catalog may be reproduced in any form or by any electronic or mechanical means, including the use of information storage and retrieval systems, without the express written permission from Rollac Shutter of Texas, Inc.

Certain portions of this catalog have been reprinted with the permission of the copyright owners who reserve all rights.



System Specifications Table of Contents

Slat Specifications

Operator Overview

Drawing 1

System Overview and Technical Specifications

Drawing 2

System Overview and Technical Specification continued

Drawing 3

Shutter Mounting Options Overview

Drawing 4

DETAIL: Shutter Surface Mounting

Drawing 5

DETAIL: Recess / Jamb Mounting

Drawing 6

DETAIL: In Wall Mounting

Drawing 7

DETAIL: Above Ceiling / Soffit Mount

Drawing 8

Recommended Fastener Schedule

Drawing 9

Motorized Operation Rolling Shutter Manual Override Options – Exploded Diagram

Drawing 10

Gear Operation Rolling Shutter Options – Exploded Diagram

Drawing 11

Duracomfort System Spec Sheet

Drawing 12

Mounting Options for Rails

Drawing 13

Exposed Base Slat Detail and Wall Mounting Bottom Stop Detail

Drawing 14

Wall Mounting Side Rail Connections to wood and concrete walls

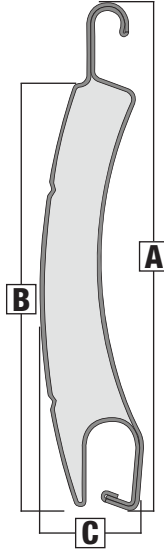
Drawing 15

Common Terms used for Rolling Shutters and Shutter System Frames



DuraComfort A200-R Regular Foam Slat

Residential Security Solution



Slat Details		
Total Height (A)	2.58"	66 mm
Total Height (B)	2.17"	55 mm
Profile Width (C)	0.55"	14 mm
Wall Gauge	0.020"	0.49 mm
Weight	1.045 lbs/sqft	5.0 kg/sqm
Maximum Area	150 sqft	13.94 sqm
Operator Limitations		
Operator	Max sqft	Max sqm
Pulley (25 lbs)	24 sqft	2.23 sqm
Strap Crank (60 lbs)	57 sqft	5.30 sqm
Gear Crank (71 lbs)	68 sqft	6.32 sqm
Gear Assist (110 lbs)	105 sqft	9.75 sqm
Motor 60mm Axle (194 lbs)	150 sqft	13.94 sqm
Limited by the maximum usage		

	Color Availability	
	Curtain Colors	Frame Colors
White	•	•
Cream	•	•
Beige	•	•
Bronze	•	•
Brown	•	•
Grey	•	•
Arcona Beige	•	•
Metallic	•	•

Slat Details	
<ul style="list-style-type: none"> • Double walled roll-formed aluminum • Gauge 0.49 mm / 0.020" • CFC free foam core • Paint thermal stability range: -40° F to 176° F [-40° C to 80° C] • Available with or without light slits • Solar heat gain coefficient & U values available upon request 	

Sidelocks (Polyamide Inserts for Regular Foam)			
A-202 FOR A200	Profiles	For Drive-In Fit	PC

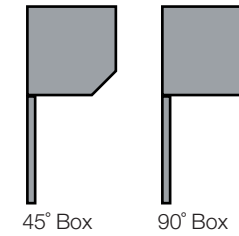
Aluminum Base Slat for Maxi Slats	
Cream, White, Grey, Lt. Beige, Bronze	

Slat Deduction for Shutter Manufacturing		
Slat	Small Leg 45° & 90° 4"-10"	Large Leg 45° 10", 12"
A200-R	7.5 cm / 2 ⁵ / ₁₆ "	9.5 cm / 3 ³ / ₄ "

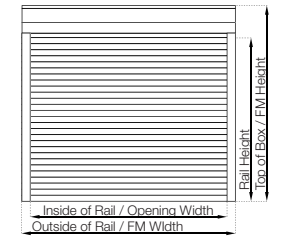
Standard Side Rail - Maxi	
63 mm x 27 mm (2.50" x 1.06") - Up to 10" Housing	
Anodized Silver, Cream, White, Grey, Light Beige, Bronze, Dark Brown, Arcona Beige	

Optional Side Rail - Maxi	
76 mm x 27 mm (3.00" x 1.06") - Required for 12" Housing	
Anodized Silver, Cream, White, Grey, Light Beige, Bronze, Dark Brown, Arcona Beige	

Box Housing Shape



Shutter Dimension Diagram

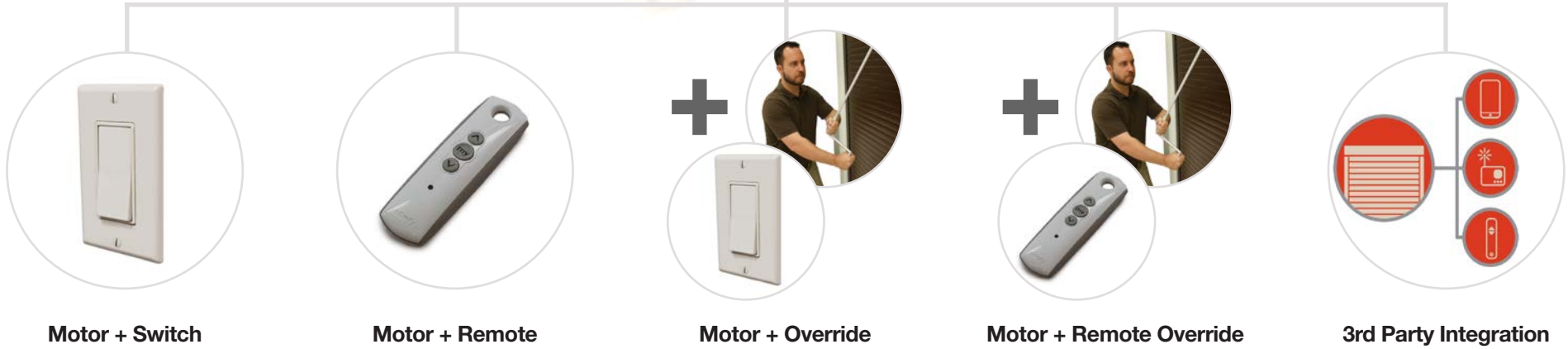


Rail Height By Housing Size														
Box Size	6" (150 mm)		6.5" (165 mm)		7" (180 mm)		8" (205 mm)		9" (230 mm)		10" (250 mm)		12" (300 mm)	
Axle	60 mm	70 mm	60 mm	70 mm	60 mm	70 mm	60 mm	70 mm	60 mm	70 mm	60 mm	70 mm	60 mm	70 mm
A200-R	20"	N/A"	32"	N/A"	38"	40"	59"	55"	73"	75"	100"	100"	153"	153"



Operator Overview

Motorized Options



Each Option Includes Motorized Operation





Operator Overview

Manual Options



Recoil Box



Crank Box



Push / Pull System



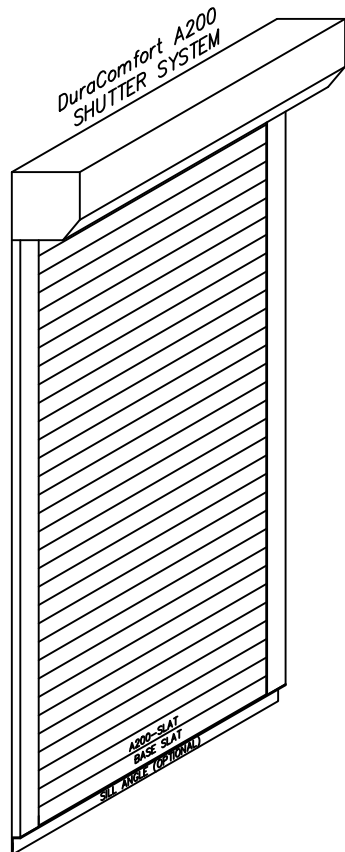
Gear Drive / Crank Handle



The DuraComfort A200 - Shutter System

foam filled profile with or without Ventilation

System Overview and Technical Specifications

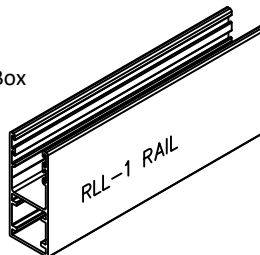
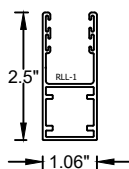


• Available Colors:

Curtain	Frame
White	White
Beige (Light Beige)	Beige (Light Beige)
Arcona Beige (Dark Beige)	Arcona Beige (Dark Beige)
Cream	Cream
Grey	Grey
Metallic	Metallic
Maroon Brown	
Dark Brown	Dark Brown
Bronze	Bronze

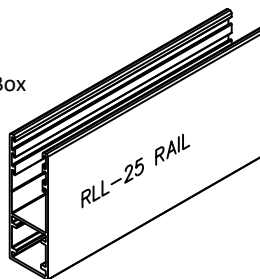
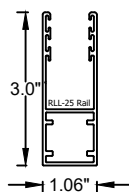
• Available Rail Sizes:

- Standard 2.5"
- For 7" - 10" Shutter Box

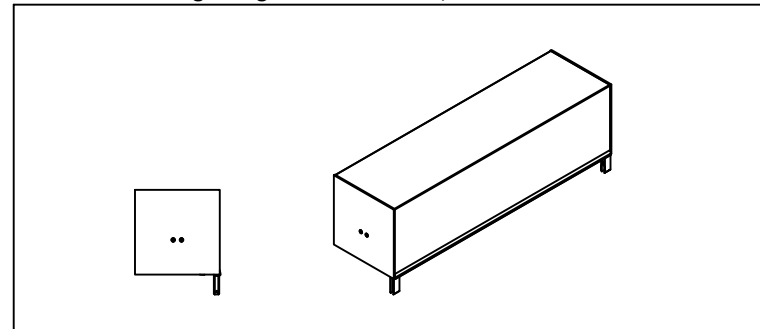


• Available Rail Sizes:

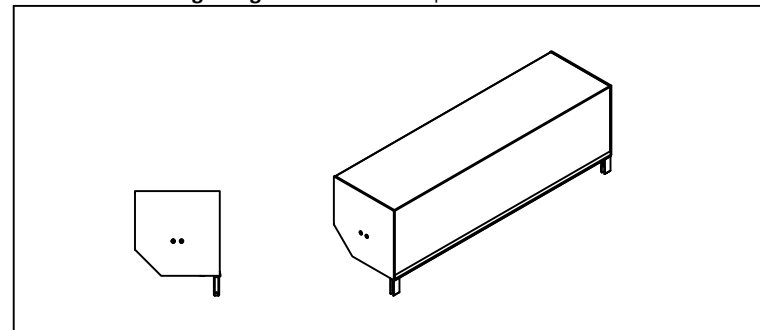
- Optional 3.0"
- For 7" - 10" Shutter Box



• Available Housing Design Choices - Side Cap 90°

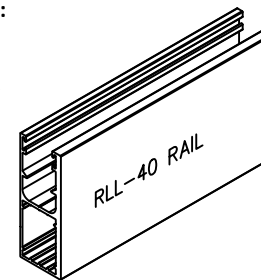
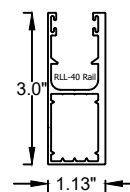


• Available Housing Design Choices - Side Cap 45°



• Available Rail Sizes:

- Optional 3.0"
- For 12" Shutter Box



<p>Copyright © 2017 Rollac V2.28.2017</p> <p>ROLLAC ROLLING SHUTTERS 5331 W. ORANGE ST. PEARLAND, TX 77581 TEL: 281-485-1911 WWW.ROLLAC.COM</p>	NAME	DATE	PROJECT:	
	DRAWN	TRAVIS E.	2017/03/21	DESCRIPTION: SYSTEM SPECIFICATION SHEETS FOR A200 SHUTTER SYSTEM.
	CHECKED	STEFAN P.	2017/03/21	
	APPR.		YYYY/MM/DD	
UNLESS OTHERWISE SPECIFIED DIMENSIONS ARE IN INCHES			SIZE DWG. NO.	
ANGLES ± .5	.X ± .1	.XX ± .03	.XXX ± .005	A200
THIRD ANGLE PROJECTION			SCALE: NONE WEIGHT: XX.XLBS 1 OF 15	
			REV A	

• Required Minimum and Maximum Dimensions for Operators

Manual System Min and Max Dimensions	
System Width	2' - 10'
System Height	2' - 10'
Maximum System SQFT	95 sqft

Motorized Systems Min and Max Dimensions	
System Width	3' - 14'
System Height	3' - 12'
Maximum System SQFT	150 sqft

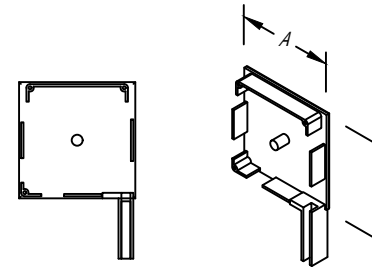
*The system specifications and information herein are based on the dimensional recommendations. If a system requires dimensions outside the scope of these technical recommendations, special engineering and installations may be required. Always consult with Rollac first.

System Weight	
Approximate Systems Weight	2.09 lbs / sqft
Curtain Weight	1.045 lbs / sqft
Profile Height	2.17"

• Available Operators and SQFT Limitations

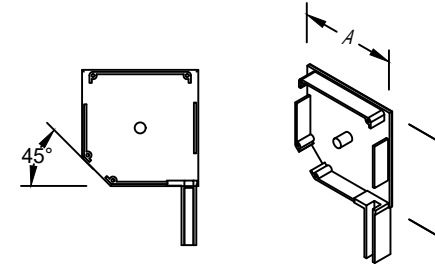
Operator System Dimensions	Max SQFT
Gear	67 sqft
Gear + Assist Spring	105 sqft
Push / Pull	150 sqft
Motor Regular Switch	150 sqft
Motor with Over Ride	150 sqft
Motor with Remote Control	150 sqft
Motor with Remote Control and Over Ride	150 sqft

Dimensions of Side Cap 90°



Dimensions of Side Caps - 90°	
Box	A
5.0" (125mm)	4.72" (120mm)
5.5" (137mm)	5.20" (132mm)
6.0" (150mm)	5.71" (145mm)
6.5" (165mm)	6.30" (160mm)
7.0" (180mm)	6.89" (175mm)
8.0" (205mm)	7.87" (200mm)
9.0" (230mm)	8.86" (225mm)
10.0" (250mm)	9.65" (245mm)

Dimensions of Side Cap 45°



Dimensions of Side Caps - 45°	
Box	A
5.0" (125mm)	4.72" (120mm)
5.5" (137mm)	5.20" (132mm)
6.0" (150mm)	5.71" (145mm)
6.5" (165mm)	6.30" (160mm)
7.0" (180mm)	6.89" (175mm)
8.0" (205mm)	7.87" (200mm)
9.0" (230mm)	8.86" (225mm)
10.0" (250mm)	9.65" (245mm)

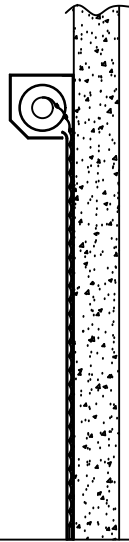
The DuraComfort A200 - Shutter System

foam filled profile with or without Ventilation

System Overview and Technical Specifications

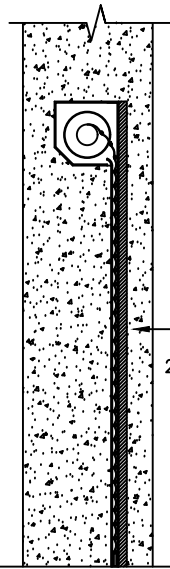
<p>Copyright © 2017 Rollac V2.28.2017</p> <p>ROLLAC ROLLING SHUTTERS 5331 W. ORANGE ST. PEARLAND, TX 77581 TEL: 281-485-1911 WWW.ROLLAC.COM</p>	NAME	DATE	PROJECT:
	DRAWN TRAVIS E.	2017/03/21	
	CHECKED STEFAN P.	2017/03/21	SIZE DWG. NO. A A200 A SCALE: NONE WEIGHT: XX.XLBS 2 OF 15
	APPR.	YYYY/MM/DD	
THIRD ANGLE PROJECTION			

SHUTTER MOUNTING OPTIONS



SURFACE MOUNT

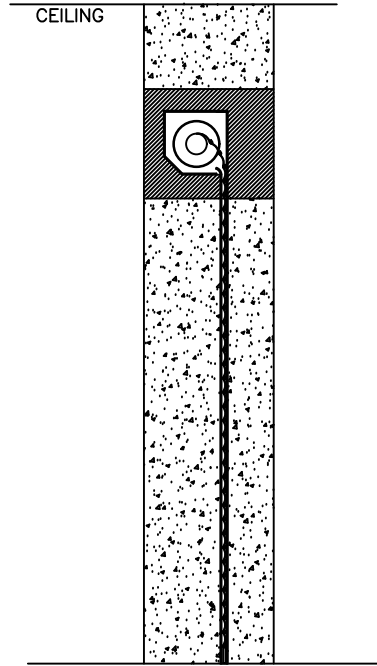
SEE PAGE # 4
FOR DETAILS



RECESS/JAMB MOUNT

SEE PAGE # 5
FOR DETAILS

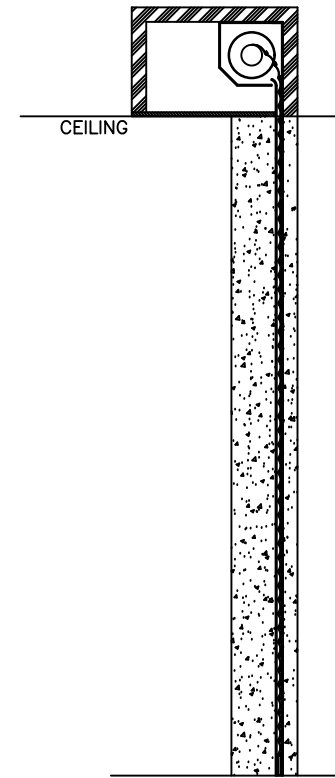
2" X 2"
ANGLE



INWALL MOUNT

SEE PAGE # 6
FOR DETAILS

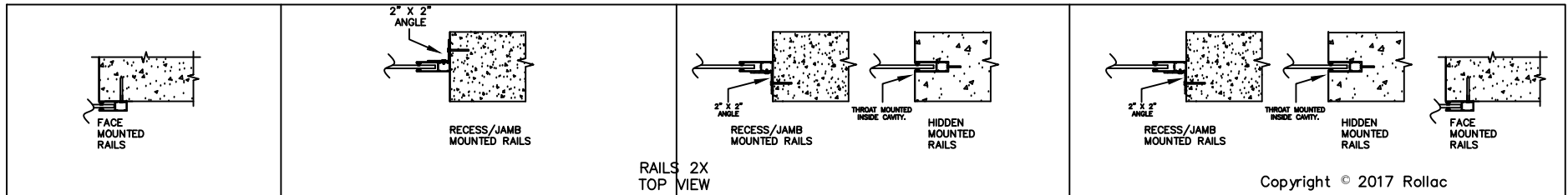
CEILING



ABOVE CEILING/SOFFIT MOUNT

SEE PAGE # 7
FOR DETAILS

CEILING

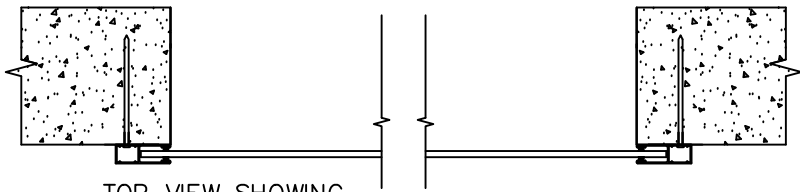


RAILS 2X
TOP VIEW

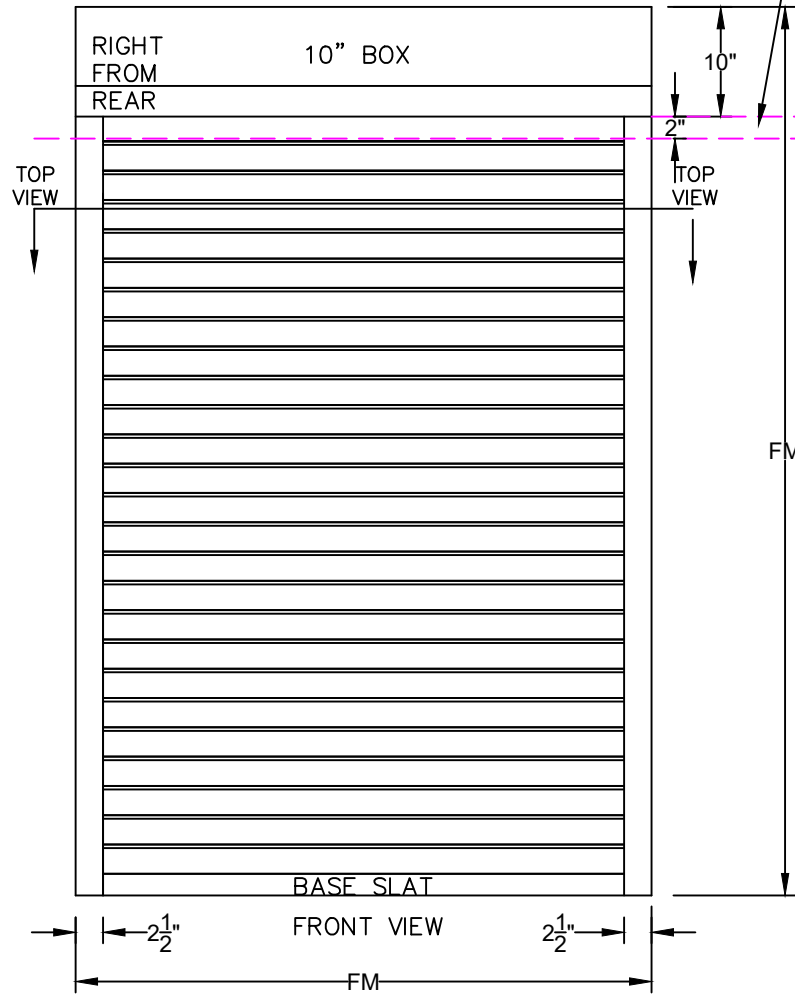
Copyright © 2017 Rollac

RAIL MOUNTING OPTIONS BY SHUTTER MOUNT METHODS

<p>Copyright © 2017 Rollac V2.28.2017</p> <p>ROLLAC ROLLING SHUTTERS 5331 W. ORANGE ST. PEARLAND, TX 77581 TEL: 281-485-1911 WWW.ROLLAC.COM</p>	NAME	DATE	PROJECT:	
	DRAWN	TRAVIS E.	2017/03/21	DESCRIPTION: SYSTEM SPECIFICATION SHEETS FOR A200 SHUTTER SYSTEM.
	CHECKED	STEFAN P.	2017/03/21	
	APPR.		YYYY/MM/DD	
UNLESS OTHERWISE SPECIFIED DIMENSIONS ARE IN INCHES				
ANGLES	X ± .5	.XX ± .1	.XXX ± .005	SIZE DWG. NO. A A200
THIRD ANGLE PROJECTION			REV A	
			SCALE: NONE WEIGHT: XX.XLBS 3 OF 15	



TOP VIEW SHOWING CURTAIN AND RAILS. SCALE = 2X



SHUTTER SURFACE MOUNT

ALLOW 2" FOR BASE SLAT HANG

2X BOX SIZE

**OPERATOR DETAILS

J-BOX FOR ELECTRICAL CONNECTION (MOTOR)

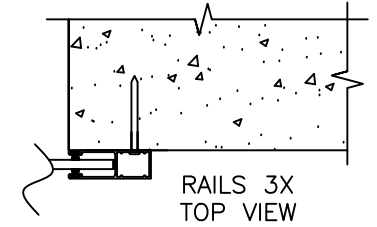
**OPERATOR DETAILS TO BE SPECIFIED DURING DETAILED PLANNING.

ALLOW FOR COVER SWING.

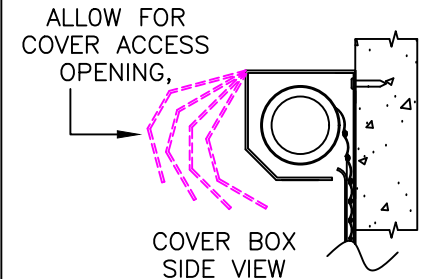
*SEE SURFACE MOUNT DETAIL

FM

FLOOR SIDE VIEW



RAILS 3X TOP VIEW



COVER BOX SIDE VIEW

*SURFACE MOUNT DETAIL
RAILS AND COVER BOX

Copyright © 2017 Rollac



Copyright © 2017 Rollac
V2.28.2017

ROLLAC ROLLING SHUTTERS
5331 W. ORANGE ST.
PEARLAND, TX 77581
TEL: 281-485-1911
WWW.ROLLAC.COM

DRAWN	TRAVIS E.	2017/03/21
CHECKED	STEFAN P.	2017/03/21
APPR.		YYYY/MM/DD

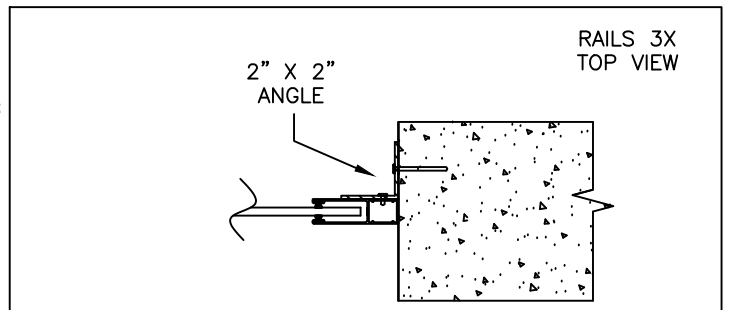
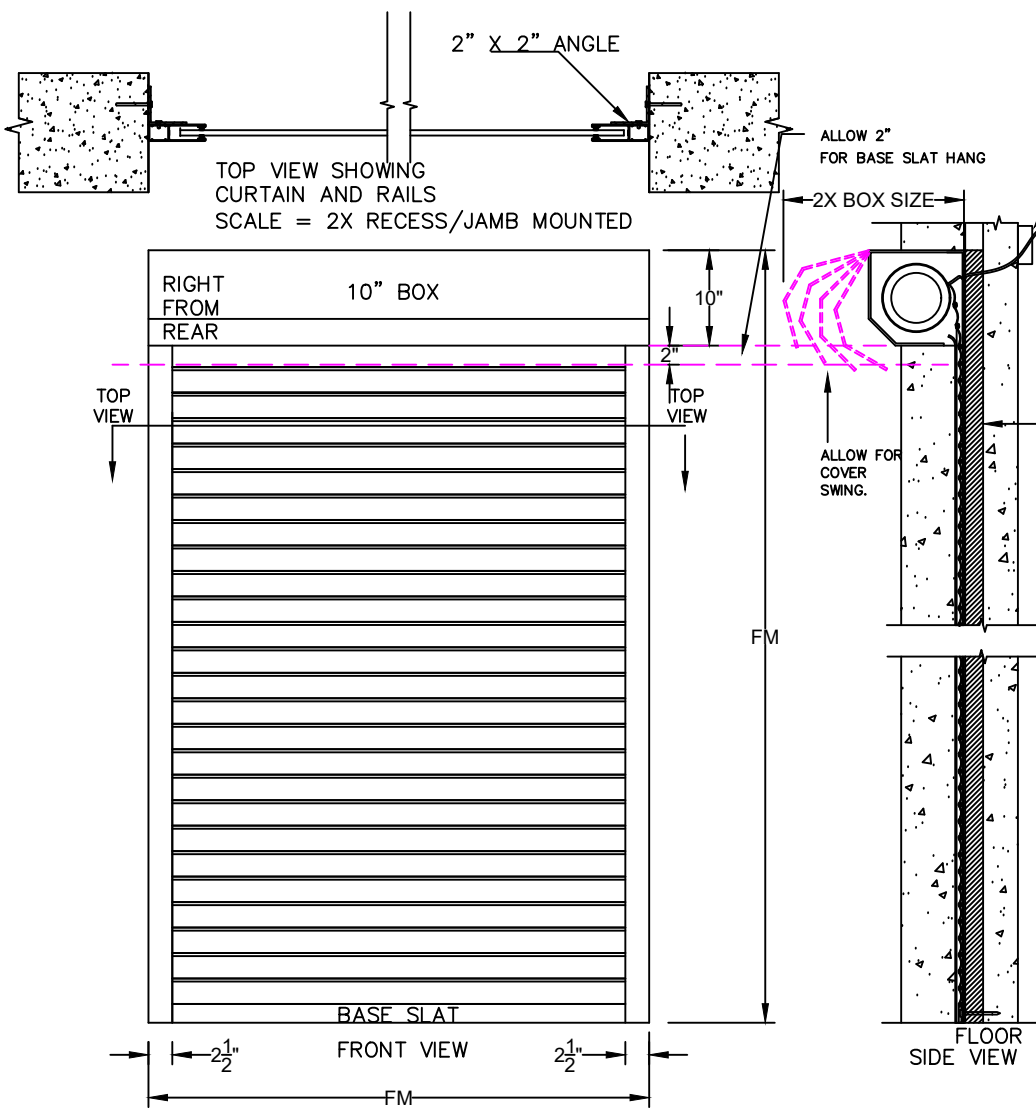
UNLESS OTHERWISE SPECIFIED DIMENSIONS ARE IN INCHES

ANGLES	.X	.XX	.XXX
	± .5	± .1	± .03 ± .005

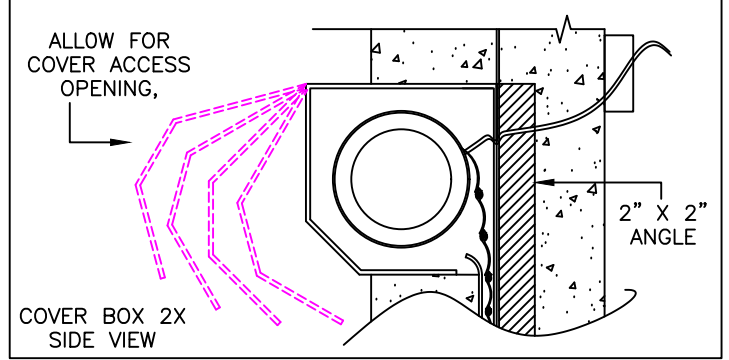


THIRD ANGLE PROJECTION

NAME	DATE	PROJECT:
DESCRIPTION:	SYSTEM SPECIFICATION SHEETS FOR A200 SHUTTER SYSTEM.	
SIZE DWG. NO.	A	A200
SCALE: NONE	WEIGHT: XX.XLBS	REV A
		4 OF 15



Copyright © 2017 Rollac



*RECESS/JAMB MOUNT DETAIL
RAILS AND COVER BOX

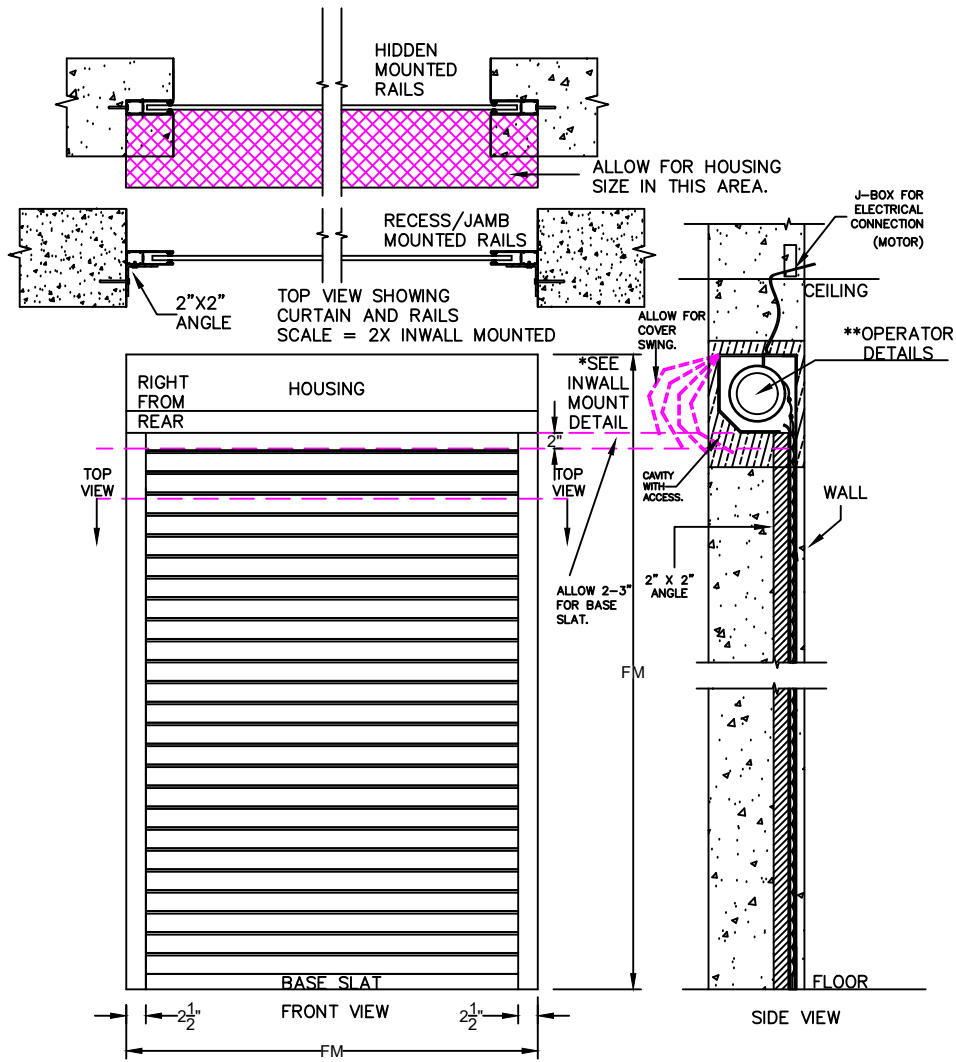
RECESS/JAMB MOUNT

	NAME	DATE	PROJECT:
	DRAWN TRAVIS E.	2017/03/21	
	CHECKED STEFAN P.	2017/03/21	DESCRIPTION:
	APPR.	YYYY/MM/DD	SYSTEM SPECIFICATION SHEETS FOR A200 SHUTTER SYSTEM.
UNLESS OTHERWISE SPECIFIED DIMENSIONS ARE IN INCHES			
ANGLES	.X ± .5	.XX ± .1	.XXX ± .03
			.005
		THIRD ANGLE PROJECTION	
SIZE DWG. NO.	A	A200	REV A
SCALE: NONE	WEIGHT: XX.XLBS	5 OF 15	

Copyright © 2017 Rollac
V2.28.2017

ROLLAC ROLLING SHUTTERS
5331 W. ORANGE ST.
PEARLAND, TX 77581
TEL: 281-485-1911
WWW.ROLLAC.COM

INWALL MOUNT SHUTTER RAILS CAN BE MOUNTED HIDDEN OR RECESS/JAMB MOUNTED

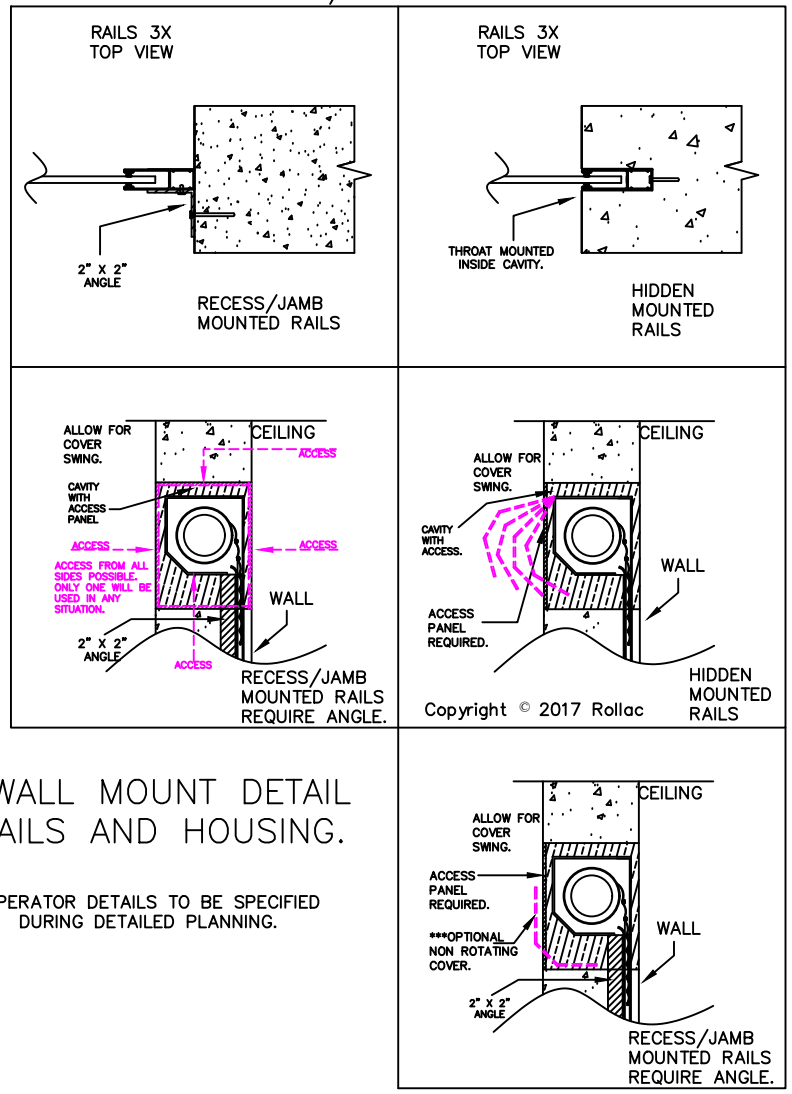


INWALL MOUNT

INWALL MOUNTED SHUTTERS ARE USUALLY MOUNTED INSIDE A CAVITY WITHIN THE HEADER ABOVE THE OPENING.

AN ACCESS PANEL WILL HAVE TO BE PROVIDED TO ENABLE INSTALLATION AND SERVICE. ACCESS CAN BE FROM EITHER SIDE, TOP OR BOTTOM. ACCESS TO BE DETERMINED DURING DETAIL SPECIFICATION.

THE OPTIONAL NON ROTATING COVER ALLOWS EASIER ACCESS INSIDE THE ACCESS PANEL IN SOME INSTALLATIONS. CONTACT ROLLAC FOR MORE DETAILS.

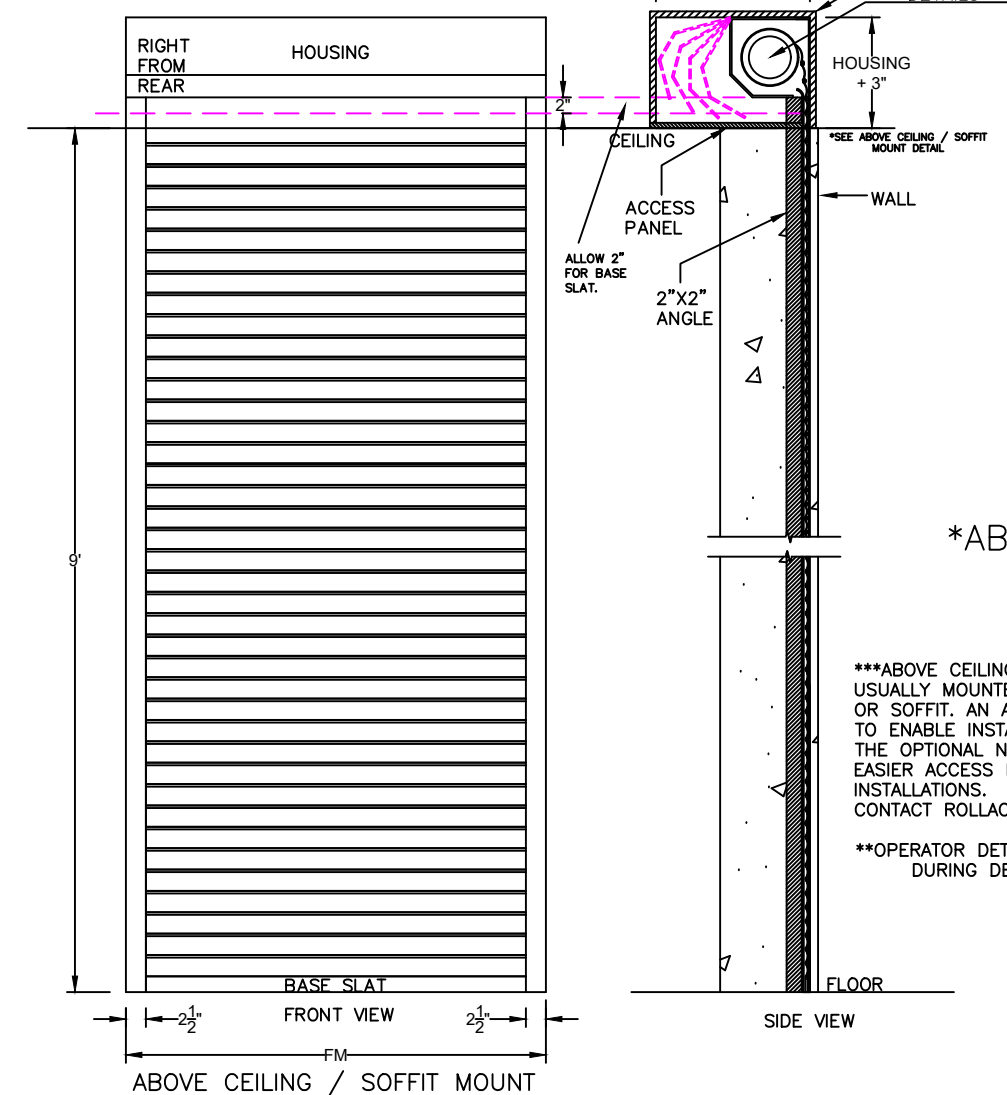
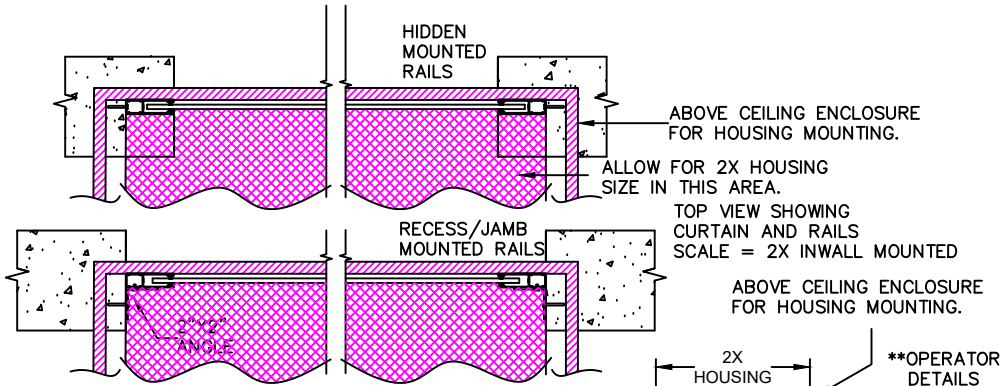


*INWALL MOUNT DETAIL
RAILS AND HOUSING.

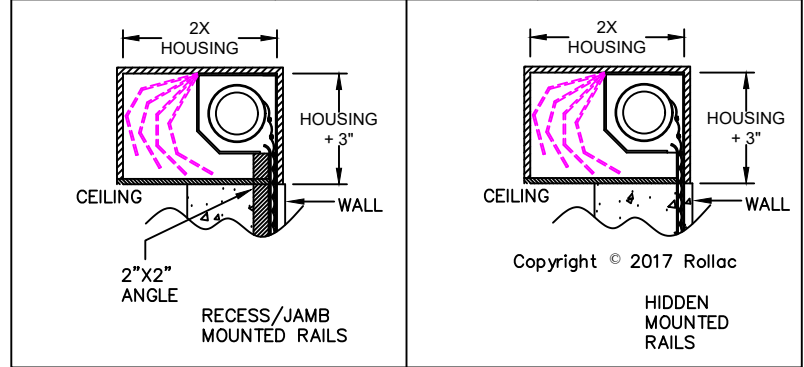
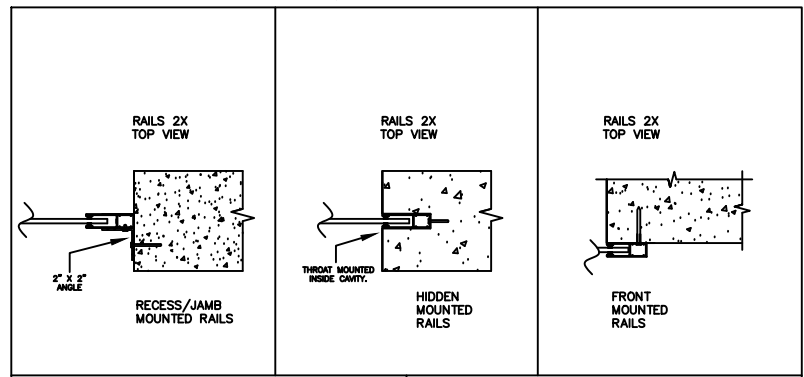
**OPERATOR DETAILS TO BE SPECIFIED
DURING DETAILED PLANNING.

	NAME	DATE	PROJECT:
	DRAWN TRAVIS E.	2017/03/21	
	CHECKED STEFAN P.	2017/03/21	DESCRIPTION:
	APPR. YYYYY/MM/DD		SYSTEM SPECIFICATION SHEETS FOR A200 SHUTTER SYSTEM.
UNLESS OTHERWISE SPECIFIED DIMENSIONS ARE IN INCHES			
ANGLES	.X	.XX	.XXX
	± .1	± .03	± .005
			THIRD ANGLE PROJECTION
SIZE DWG. NO.	REV		
A	A200	A	
SCALE: NONE	WEIGHT: XX.XLBS	6 OF 15	

Copyright © 2017 Rollac
V2.28.2017
ROLLAC ROLLING SHUTTERS
5331 W. ORANGE ST.
PEARLAND, TX 77581
TEL: 281-485-1911
WWW.ROLLAC.COM



ABOVE CEILING / SOFFIT MOUNT SHUTTER RAILS CAN BE FRONT MOUNTED, HIDDEN OR RECESS/JAMB MOUNTED.

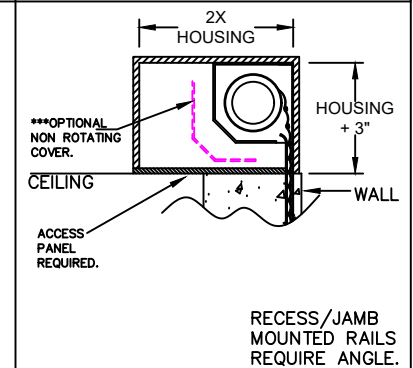


Copyright © 2017 Rollac

*ABOVE CEILING / SOFFIT MOUNT DETAIL RAILS AND HOUSING.

***ABOVE CEILING/SOFFIT MOUNTED SHUTTERS ARE USUALLY MOUNTED INSIDE A CAVITY ABOVE THE CEILING OR SOFFIT. AN ACCESS PANEL WILL HAVE TO BE PROVIDED TO ENABLE INSTALLATION AND SERVICE. THE OPTIONAL NON ROTATING COVER ALLOWS EASIER ACCESS INSIDE THE ACCESS PANEL IN SOME INSTALLATIONS. CONTACT ROLLAC FOR MORE DETAILS.

**OPERATOR DETAILS TO BE SPECIFIED DURING DETAILED PLANNING.



<p>Copyright © 2017 Rollac V2.28.2017</p> <p>ROLLAC ROLLING SHUTTERS 5331 W. ORANGE ST. PEARLAND, TX 77581 TEL: 281-485-1911 WWW.ROLLAC.COM</p>	NAME	DATE	PROJECT:	
	DRAWN	TRAVIS E.	2017/03/21	DESCRIPTION: SYSTEM SPECIFICATION SHEETS FOR A200 SHUTTER SYSTEM.
	CHECKED	STEFAN P.	2017/03/21	
	APPR.		YYYY/MM/DD	
UNLESS OTHERWISE SPECIFIED DIMENSIONS ARE IN INCHES				
ANGLES	.X ± .5	.XX ± .1	.XXX ± .03 ± .005	SIZE DWG. NO. A A200
THIRD ANGLE PROJECTION			SCALE: NONE WEIGHT: XX.XLBS	REV A 7 OF 15


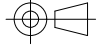
Recommended Fastener - Schedule A200

Substrate	Type of Screw	Commonly Used	Minimum Embedment (E.D.)	Minimum Edge Distance	Screw Hole Spacing
Wood Framing	#14 Wood or Lag Screw Pan Head, Phillips	Wood Screw #14 Stainless Steel, Pan Head, Phillips STUCCO: #14 x 3*, FIBER CEMENT BOARD: #14 x 3 BRICK-VENEER: #14 x 4 (Screw length depends on brick size and distance to wood framing)	1.5" Threaded Penetration to Existing Wood Stud	2" Edge Distance	<u>Drill hole Spacing:</u> 12" Approximately every 12" or less starting 4" from the bottom up to 4" from the top. <u>Drill hole Size:</u> The Standard Recommended Drill hole is $\frac{1}{2}$ ". Rollac will do a step drill with $\frac{1}{2}$ " entry and $\frac{1}{4}$ " exit hole. This type of drill will fit all #14 screws. Please advise if other screws, such as Tapcon Anchors, are used as it will change the drill size..
Concrete	#14 Screw Pan Head, Phillips with S7 Fisher Anchor or Plug	#14 X 2" screw with Fisher S7 Anchor or Plug Please.	Follow the installation instructions on the Fisher Plug but we recommend the embedment to be around 1.75" Minimum.	3" Edge Distance	
Aluminum / Build Out / Angles	#14 TEK Screw Pan Head, Phillips	#14 X 1 Self Drilling PP SS TEK (TEK = Self Drilling)	n.a.	n.a.	
Red Iron	TEKS 5 Screws #12 ** Hexagon Head, Phillips	#12	n.a.	n.a.	
Commercial Aluminum Studs	TEKS 5 Screws #12 ** Hexagon Head, Phillips	#12	n.a.	n.a.	

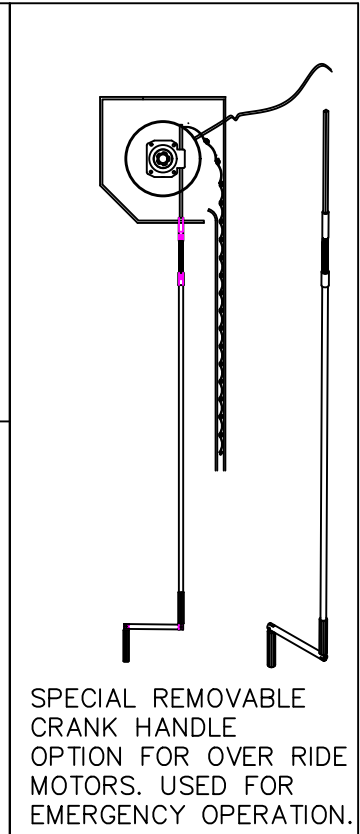
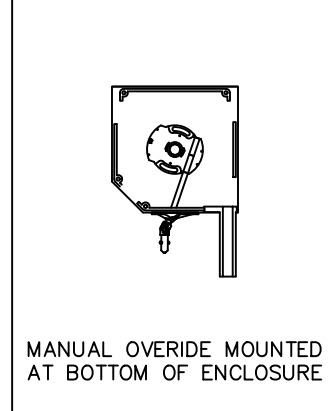
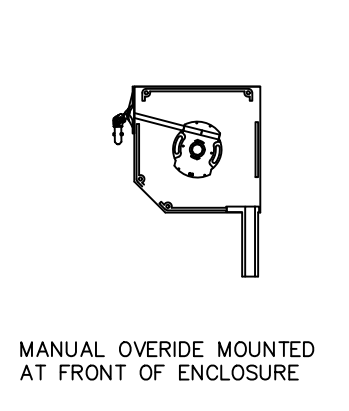
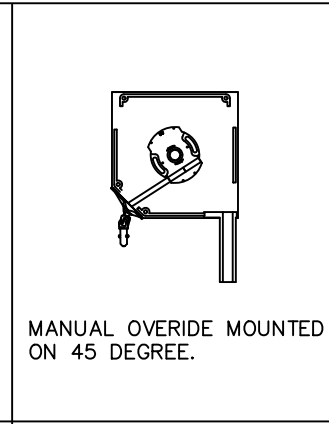
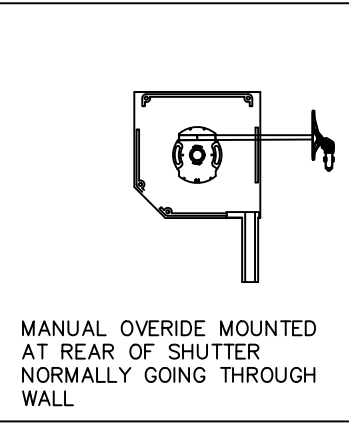
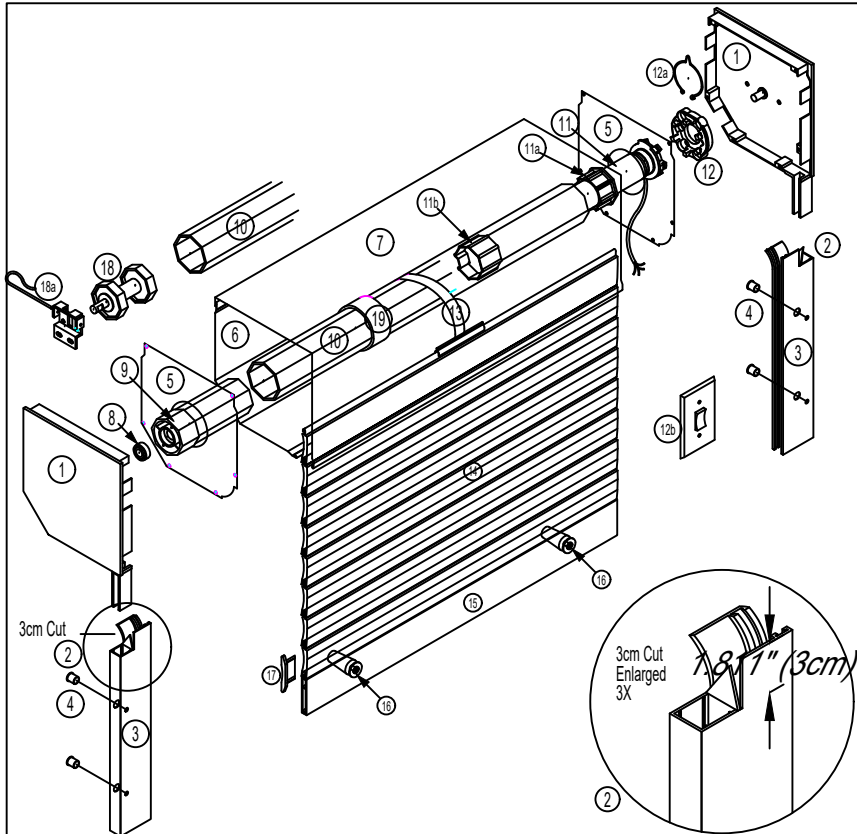
- * No embedment into stucco shall be considered as part of the required embedment
 ** Screw shall not be made out of stainless steel as material is too soft to drill into a steel structure. Use other corrosion resistant material

Disclaimer: It is the responsibility of the installer to verify that the surface and structure is suitable to install a rolling shutter. Fastener schedule is a recommendation. Installer to verify that rolling shutter is securely fastened.

Choose Corrosion Resistant Material that is appropriate for the environment in which the product is being installed. Choose appropriate screw length to meet minimum embedment.

	NAME	DATE	PROJECT:
	DRAWN TRAVIS E.	2017/03/21	DESCRIPTION: SYSTEM SPECIFICATION SHEETS FOR A200 SHUTTER SYSTEM.
	CHECKED STEFAN P.	2017/03/21	
	APPR.	YYYY/MM/DD	
Copyright © 2017 Rollac V2.28.2017 ROLLAC ROLLING SHUTTERS 5331 W. ORANGE ST. PEARLAND, TX 77581 TEL: 281-485-1911 WWW.ROLLAC.COM			UNLESS OTHERWISE SPECIFIED DIMENSIONS ARE IN INCHES ANGLES .X ± .5 .XX ± .1 .XXX ± .03 .XXX ± .005
 THIRD ANGLE PROJECTION			SIZE DWG. NO. REV A A200 A
SCALE: NONE			WEIGHT: XX.XLBS
			8 OF 15

MOTORIZED ROLLING SHUTTER MANUAL OVERRIDE OPTIONS.

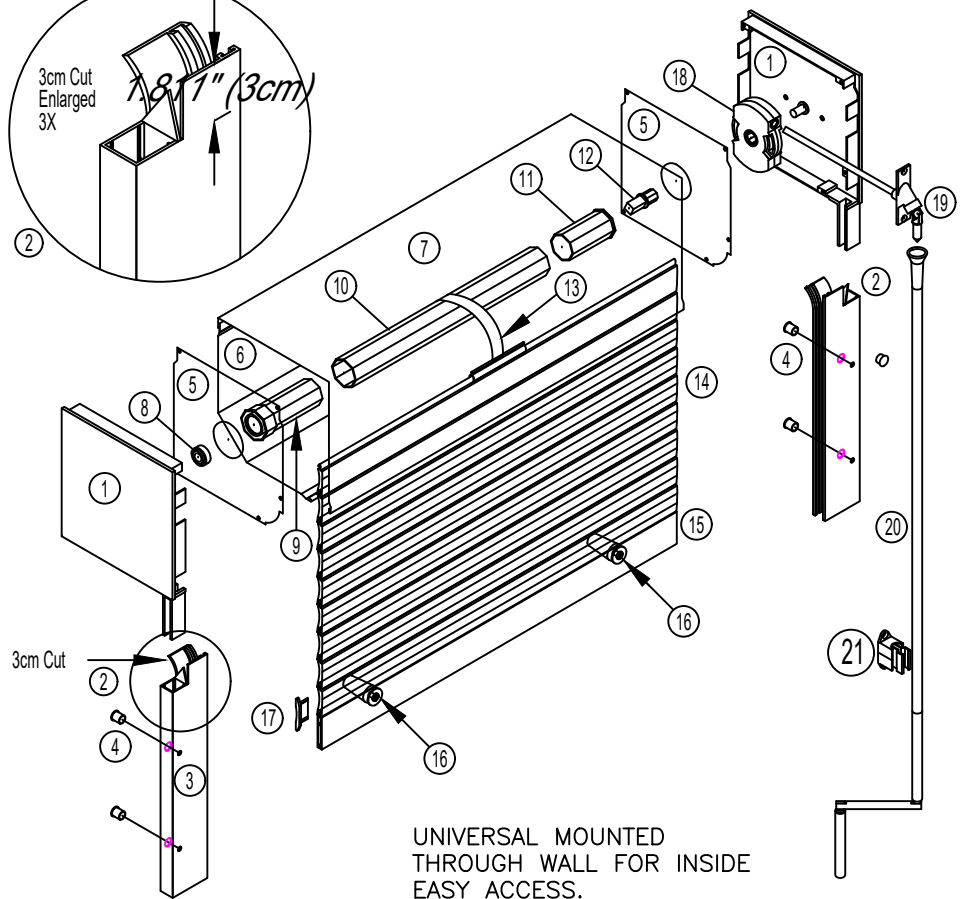
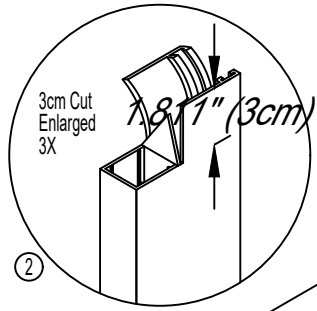


- | | | |
|---------------------------------|---------------------------------------|---------------------------------------|
| ① Side/End Cap | ⑨ Idler Insert (PVC) | ⑬ Springlock Hanger |
| ② 3cm Cut | ⑩ 60/70 mm Axle (Galvanized/Aluminum) | ⑭ A200 Slats |
| ③ Guide Rail With 3cm Cut | ⑪ Tubular Motor | ⑮ Base Slat |
| ④ Plug Button | ⑪a Crown | ⑯ Exterior Nylon Stop |
| ⑤ Safety Plate | ⑪b Drive | ⑰ Side Lock |
| ⑥ Housing (Front/Bottom) 6"-10" | ⑫ Motor Bracket | ⑱ Idler (PVC) |
| ⑦ Housing (Top/Back) 6"-10" | ⑫a Spring Ring | ⑱a Idler Bracket (Steel) |
| ⑧ Ball Bearing | ⑫b Switch | ⑲ Axle Ring - PVC or Alum. (Optional) |

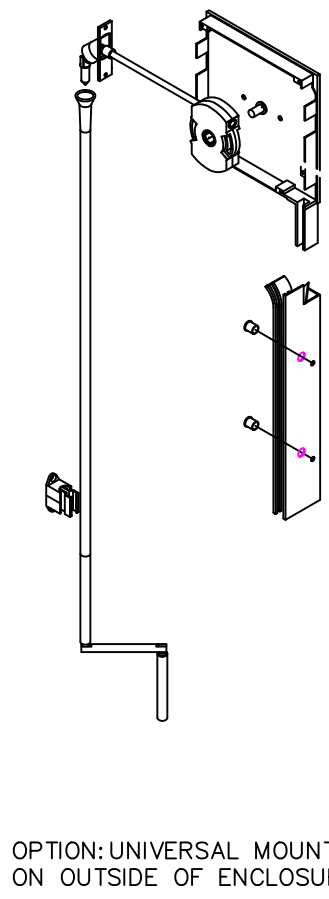
DuraComfort A200 System - MOTOR OPERATED
 Copyright © 2017 by Rollac Rolling Shutters

<p>Copyright © 2017 Rollac V2.28.2017 ROLLAC ROLLING SHUTTERS 5331 W. ORANGE ST. PEARLAND, TX 77581 TEL: 281-485-1911 WWW.ROLLAC.COM</p>	NAME	DATE	PROJECT:	
	DRAWN	TRAVIS E.	2017/03/21	DESCRIPTION: SYSTEM SPECIFICATION SHEETS FOR A200 SHUTTER SYSTEM.
	CHECKED	STEFAN P.	2017/03/21	
	APPR.	YYYY/MM/DD		UNLESS OTHERWISE SPECIFIED DIMENSIONS ARE IN INCHES
ANGLES ±.5 .X .XX .XXX ±.1 ±.03 ±.005		<p>THIRD ANGLE PROJECTION</p>	SIZE DWG. NO. A A200	
SCALE: NONE		WEIGHT: XX.XLBS	REV A 9 OF 15	

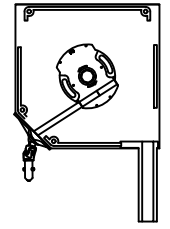
ROLLING SHUTTER GEAR OPERATION OPTIONS



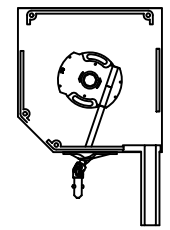
UNIVERSAL MOUNTED THROUGH WALL FOR INSIDE EASY ACCESS.



OPTION: UNIVERSAL MOUNTED ON OUTSIDE OF ENCLOSURE



OPTION: UNIVERSAL MOUNTED OUTSIDE ON 45 DEGREE.



OPTION: UNIVERSAL MOUNTED OUTSIDE AT BOTTOM OF ENCLOSURE

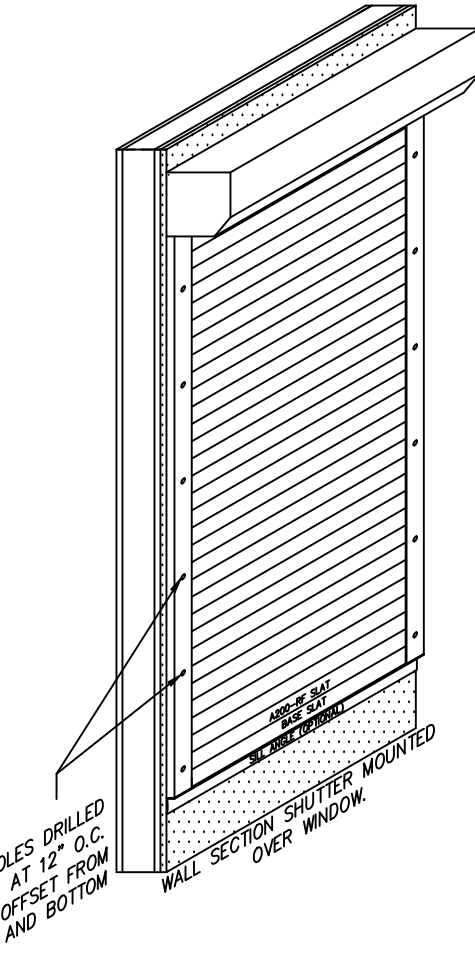
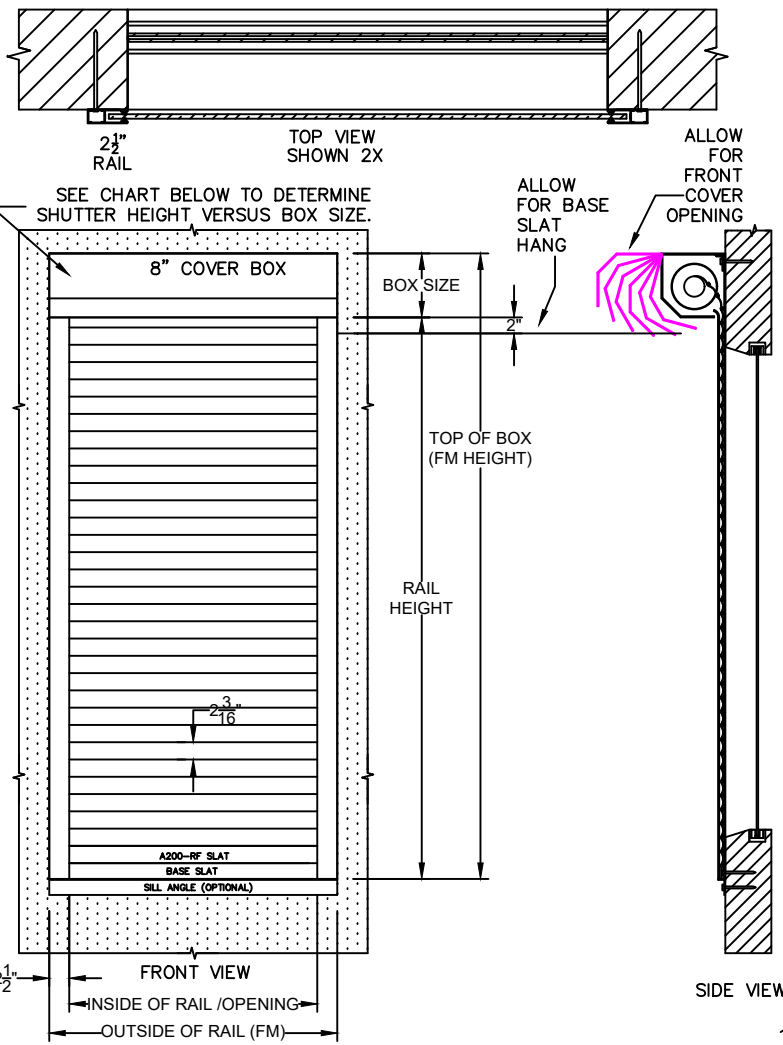
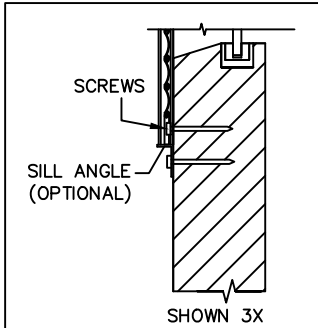
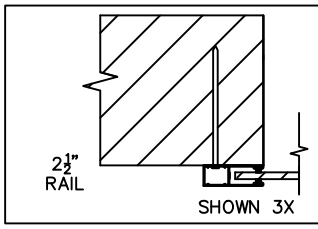
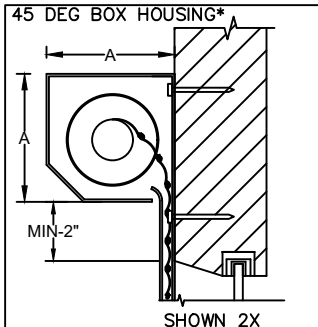
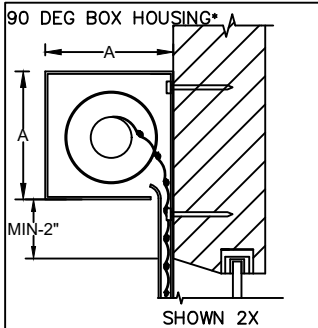
- ① Side/End Cap
- ② 3cm Cut
- ③ Guide Rail With 3cm Cut
- ④ Plug Button
- ⑤ Safety Plate
- ⑥ Housing (Front/Bottom) 6"-12"
- ⑦ Housing (Top/Back) 6"-12"
- ⑧ Ball Bearing
- ⑨ Idler Insert (PVC)
- ⑩ 60/70 mm Axle (Galvanized/Aluminum)
- ⑪ Gear Insert
- ⑫ Gear Connector
- ⑬ Springlock Hanger
- ⑭ A200 Slats
- ⑮ Base Slat
- ⑯ Exterior Nylon Stop
- ⑰ Side Lock
- ⑱ Gear
- ⑲ Universal
- ⑳ Crank Handle
- ㉑ Crank Holder (Optional)

DuraComfort A200 System- GEAR OPERATED
Copyright © 2017 by Rollac Rolling Shutters

ROLLAC		NAME	DATE	PROJECT:
DRAWN		TRAVIS E.	2017/03/21	DESCRIPTION: SYSTEM SPECIFICATION SHEETS FOR A200 SHUTTER SYSTEM.
CHECKED		STEFAN P.	2017/03/21	
APPR.		YYYY/MM/DD		UNLESS OTHERWISE SPECIFIED DIMENSIONS ARE IN INCHES
ANGLES		.X ± .5	.XX ± .1	
THIRD ANGLE PROJECTION				SIZE DWG. NO. A A200
SCALE: NONE		WEIGHT: XX.XLBS		REV A
10 OF 15				

Copyright © 2017 Rollac
V2.28.2017
ROLLAC ROLLING SHUTTERS
5331 W. ORANGE ST.
PEARLAND, TX 77581
TEL: 281-485-1911
WWW.ROLLAC.COM

INSTALLATION DETAILS



DuraComfort A200 SYSTEM

RECOMMENDED MAXIMUM OPENING MANUAL 2'-10' MOTOR 3'-14'
RECOMMENDED MAXIMUM HEIGHT MANUAL 2'-10' MOTOR 2'-12.5'
RECOMMENDED MAXIMUM USAGE SQ FT MANUAL 95 MOTOR 150
CURTAIN WEIGHT 1.045 lbs./sq ft.
PROFILE HEIGHT 2.17"
SYSTEM WEIGHT 2X CURTAIN WEIGHT

Copyright © 2017 Rollac

DuraComfort A200 System Specification

APPLICATIONS FOR THE DuraComfort A200 SYSTEM RESIDENTIAL SECURITY SOLAR SHADING	OPERATOR OPTIONS; GEAR MOTOR MOTOR/OVERRIDE	RAIL OPTIONS; 2 1/2" STANDARD 3" OPTIONAL
--	---	---

DuraComfort A200 System - Housing Size(A) Versus FM Height of Shutter.

A200	FM Height ft.	2.5	3	3.5	4	4.5	5	5.5	6	6.5	7	7.5	8	8.5	9	9.5	10	10.5	11	11.5	12	12.5	
	Box Housing Size(A) in.	7	7	8	8	8	9	9	9	10	10	10	10	10	12	12	12	12	12	12	12	12	12
	Rail Size in.	2.5	2.5	2.5	2.5	2.5	2.5	2.5	2.5	2.5	2.5	2.5	2.5	2.5	3	3	3	3	3	3	3	3	3

*NOTE: ROLLING SHUTTERS WITH 12" HOUSING HAVE 3" RAIL AND ARE ONLY AVAILABLE IN 45 DEGREE BOX HOUSING

Copyright © 2017 Rollac
V2.28.2017
ROLLAC ROLLING SHUTTERS
5331 W. ORANGE ST.
PEARLAND, TX 77581
TEL: 281-485-1911
WWW.ROLLAC.COM

NAME	DATE	PROJECT:
DRAWN TRAVIS E.	2017/03/21	DESCRIPTION: SYSTEM SPECIFICATION SHEETS FOR A200 SHUTTER SYSTEM.
CHECKED STEFAN P.	2017/03/21	
APPR.	YYYY/MM/DD	
UNLESS OTHERWISE SPECIFIED DIMENSIONS ARE IN INCHES		
ANGLES	.X .XX .XXX ± .5 ± .1 ± .03 ± .005	

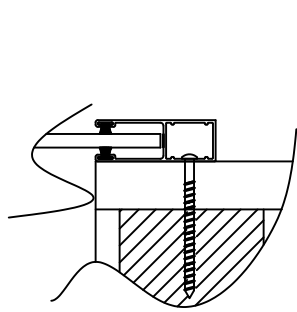
THIRD ANGLE PROJECTION

SIZE DWG. NO. REV

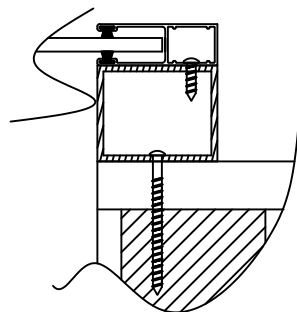
A A200 A

SCALE: NONE WEIGHT: XX.XLBS 11 OF 15

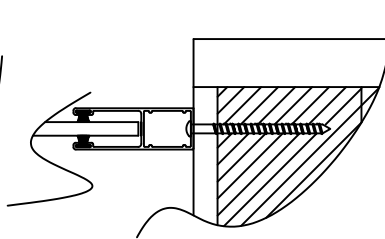
STANDARD RAIL MOUNTING OPTIONS



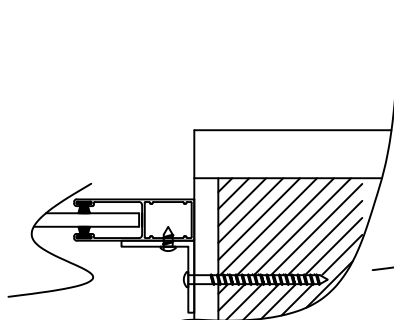
Flush Mount
"A" Type Rails



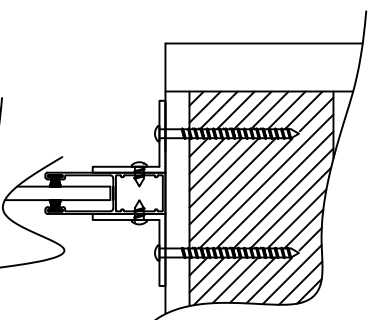
Build Out Mount
"A" Type Rails



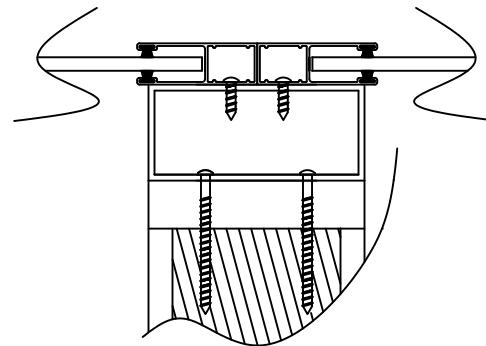
Inside Jamb
Throat Drill Mount
"A" Type Rails



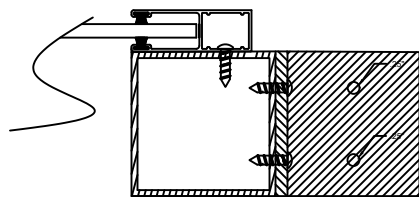
Inside Jamb
"A" Type Rails
Angle Attachment



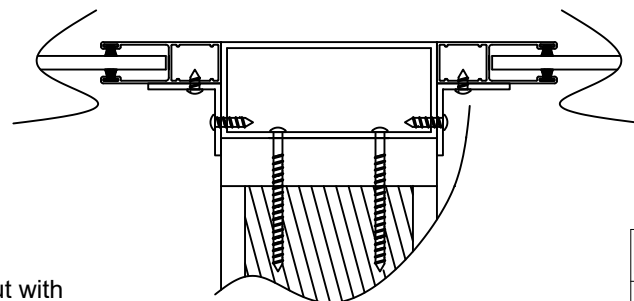
Inside Jamb Mount
"A" Type Rails
Dual Angle Attachment




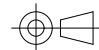
Build Out Mount
Two "A" Type Rails

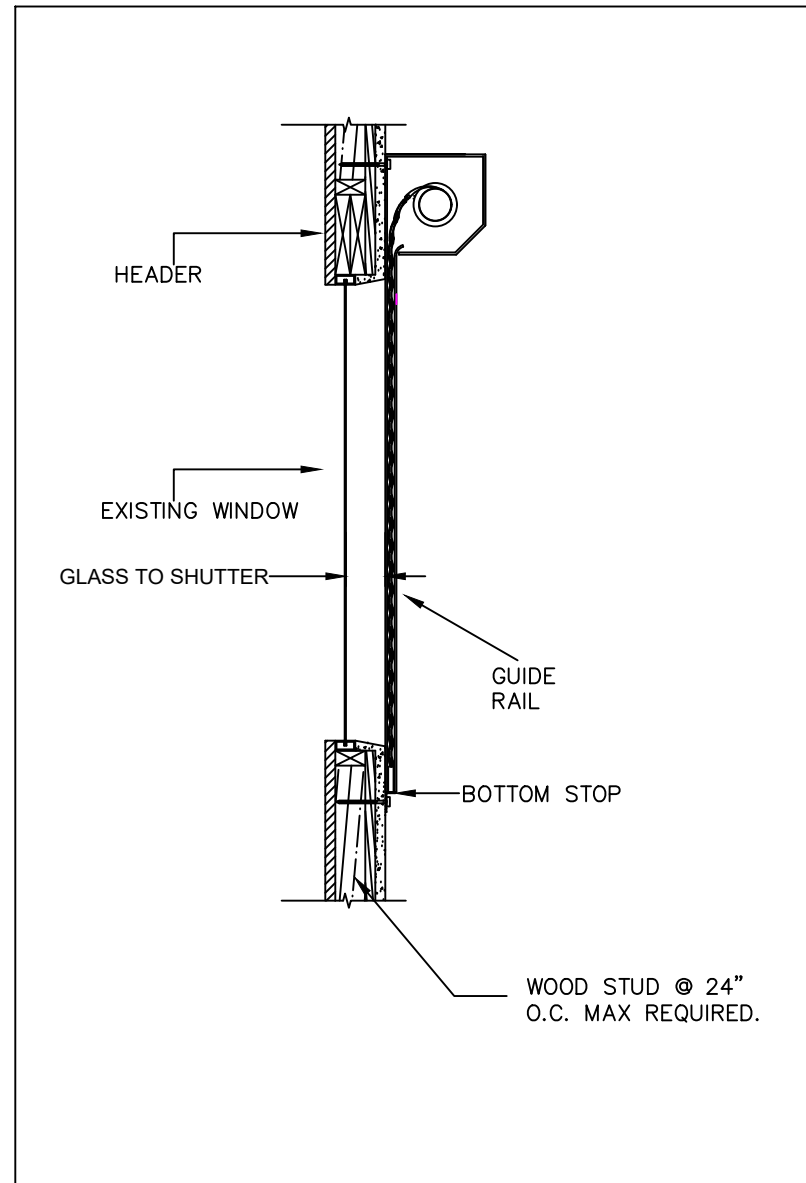
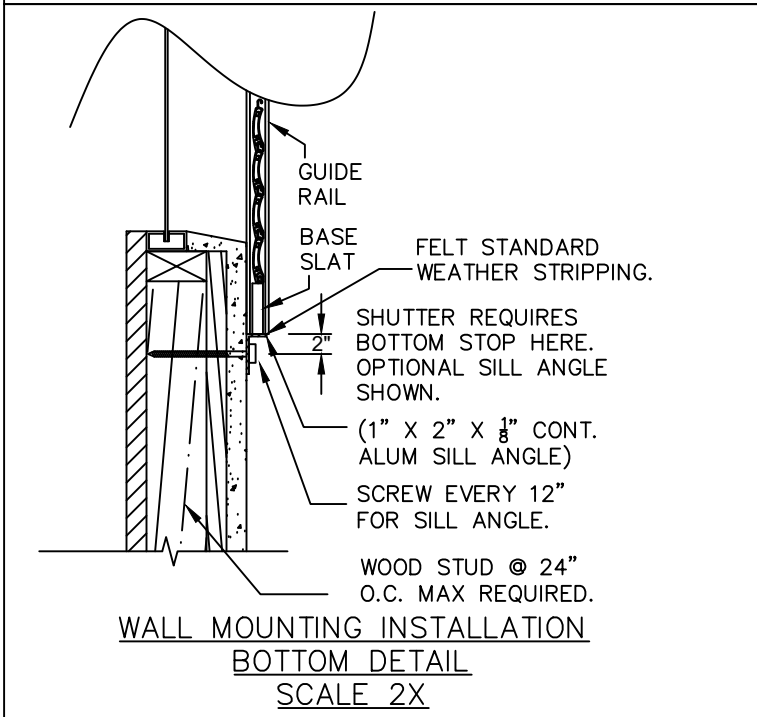
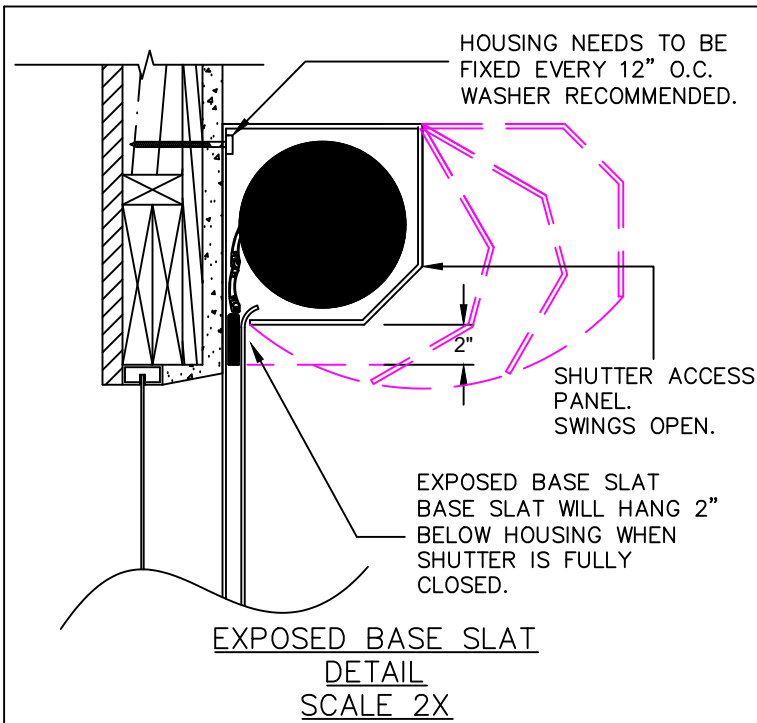


3 Inch X 3 Inch Clip.
Mounted to 3 Inch X 3 inch Build Out with rails attached. Use one clip at floor and ceiling for each rail to mount shutter when no other mounting options are available. Other sizes are available.



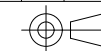
Mount Two "A" Type Rails
Flush On Build Out With Angles

ROLLAC 		NAME	DATE	PROJECT:
DRAWN	TRAVIS E.	2017/03/21		
CHECKED	STEFAN P.	2017/03/21		DESCRIPTION:
APPR.		YYYY/MM/DD		SYSTEM SPECIFICATION SHEETS FOR A200 SHUTTER SYSTEM.
UNLESS OTHERWISE SPECIFIED DIMENSIONS ARE IN INCHES				
ANGLES	.X	.XX	.XXX	
	± .5	± .1	± .03	± .005
Copyright © 2017 Rollac V2.28.2017 ROLLAC ROLLING SHUTTERS 5331 W. ORANGE ST. PEARLAND, TX 77581 TEL: 281-485-1911 WWW.ROLLAC.COM		THIRD ANGLE PROJECTION 		SIZE DWG. NO. REV A A200 A
		SCALE: NONE	WEIGHT: XX.XLBS	12 OF 15



Copyright © 2017 Rollac
V2.28.2017
ROLLAC ROLLING SHUTTERS
5331 W. ORANGE ST.
PEARLAND, TX 77581
TEL: 281-485-1911
WWW.ROLLAC.COM

	NAME	DATE	PROJECT:
DRAWN	TRAVIS E.	2017/03/21	
CHECKED	STEFAN P.	2017/03/21	DESCRIPTION:
APPR.		YYYY/MM/DD	SYSTEM SPECIFICATION SHEETS FOR A200 SHUTTER SYSTEM.
UNLESS OTHERWISE SPECIFIED DIMENSIONS ARE IN INCHES			
ANGLES	.X	.XX	.XXX
	± .5	± .1	± .03 ± .005

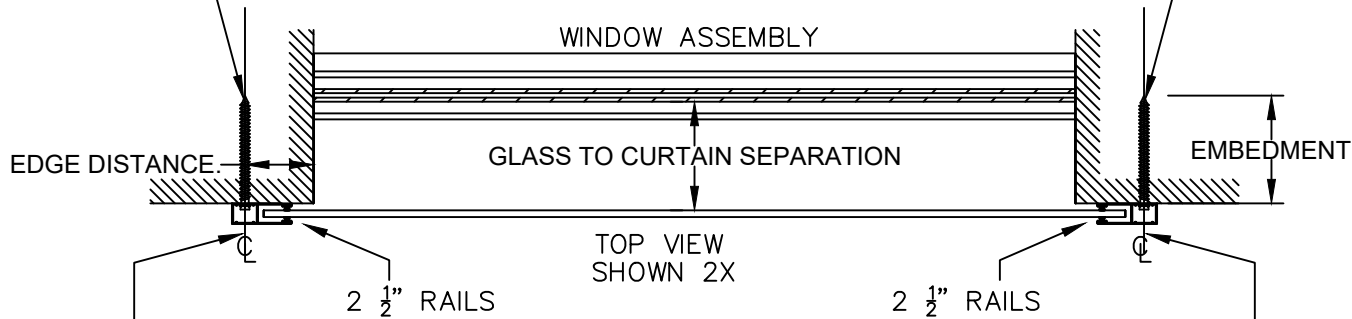


THIRD ANGLE PROJECTION

SIZE	DWG. NO.	REV
A	A200	A
SCALE: NONE	WEIGHT: XX.XLBS	13 OF 15

(SEE FASTENER SCHEDULE FOR SCREW TYPE AND SPACING)

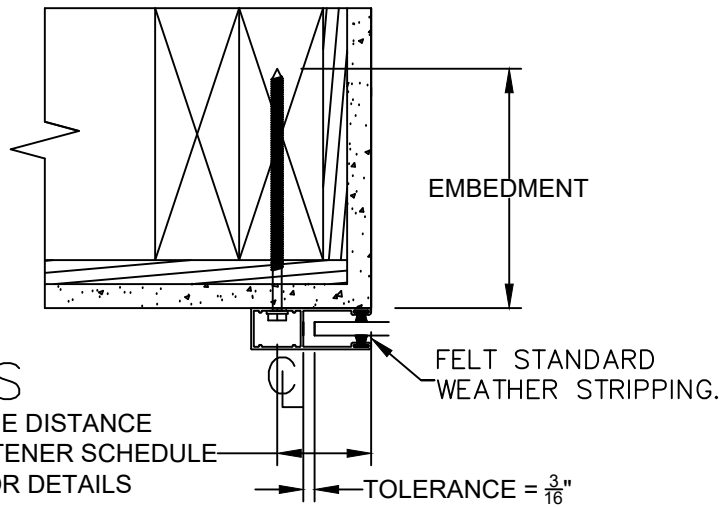
(SEE FASTENER SCHEDULE FOR SCREW TYPE AND SPACING)



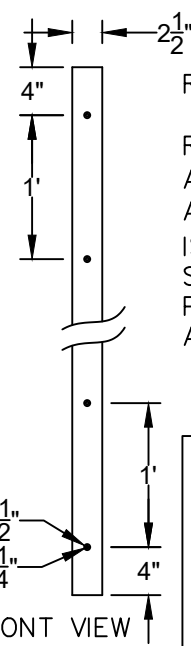
**WALL MOUNTING
SIDE RAIL CONNECTIONS
SCALE 2X**

OPEN HOLE &
COVER W/
NYLON CAP

OPEN HOLE &
COVER W/
NYLON CAP



**WALL MOUNTING
SIDE RAIL CONNECTIONS
TO WOOD CONSTRUCTION WALL
SCALE 2X**



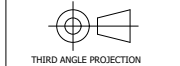
RAIL DETAIL—STANDARD RAIL

RAIL HOLES ARE SPACED ABOUT 12" APART BEGINNING 4" FROM TOP AND BOTTOM. THE OUTSIDE HOLE IS 1/2" AND THE INSIDE HOLE IS 1/4" STANDARD. NYLON CAPS WILL BE PROVIDED FOR COVERING THE HOLES AFTER INSTALLATION.



Copyright © 2017 Rollac
V2.28.2017
ROLLAC ROLLING SHUTTERS
5331 W. ORANGE ST.
PEARLAND, TX 77581
TEL: 281-485-1911
WWW.ROLLAC.COM

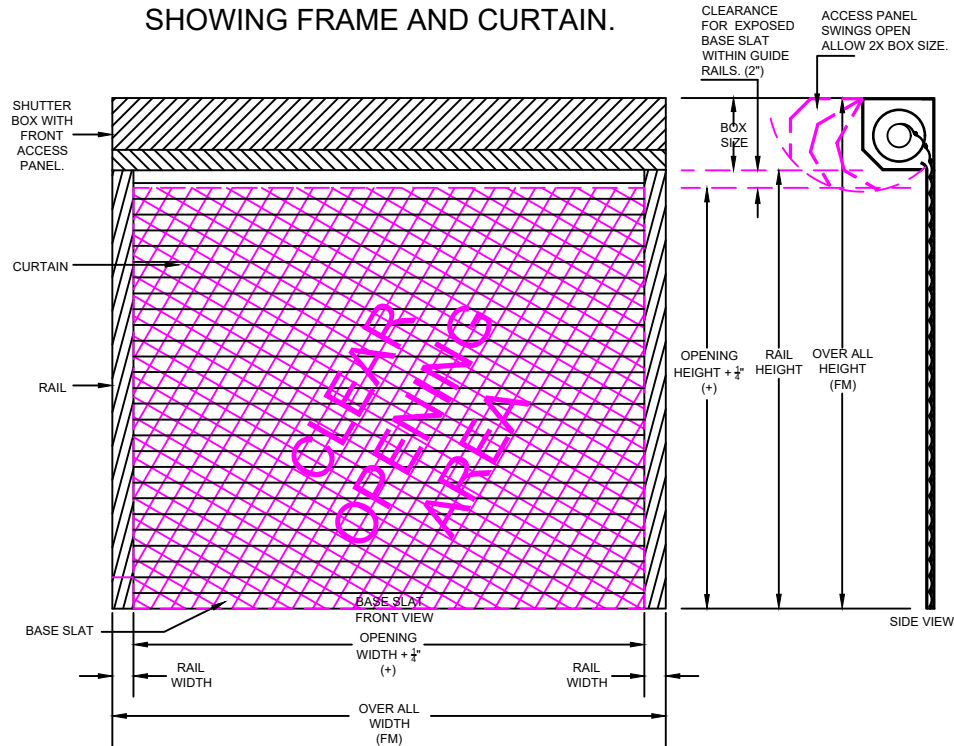
NAME	DATE	PROJECT:
DRAWN TRAVIS E.	2017/03/21	
CHECKED STEFAN P.	2017/03/21	DESCRIPTION:
APPR.	YYYY/MM/DD	SYSTEM SPECIFICATION SHEETS FOR A200 SHUTTER SYSTEM.
UNLESS OTHERWISE SPECIFIED DIMENSIONS ARE IN INCHES		
ANGLES	.X .XX .XXX	
± .5	± .1 ± .03 ± .005	



SIZE	DWG. NO.	REV
A	A200	A
SCALE: NONE	WEIGHT: XX.XLBS	14 OF 15

COMMON TERMS USED FOR ROLLING SHUTTERS

MEASUREMENT AND PLANNING GUIDE FOR ROLLING SHUTTERS SHOWING FRAME AND CURTAIN.



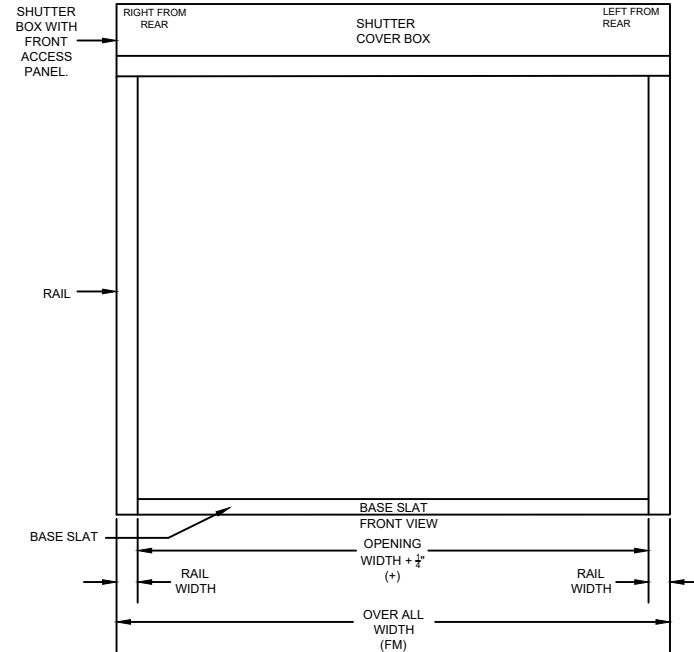
Measuring for rolling shutters is easy once you know what issues to consider

- 1) Consider the way a rolling shutter will need to be installed. Is the area free of obstruction or will you need to fit the shutter within a certain space?
The answer to this question will tell you whether you should use a plus (+) measurement or FM measurement.
- 2) Consider the height of the shutter. The taller the shutter, the larger the box size. In addition to the added height for the box, some space should be allowed for the base slat of a fully open shutter in order to keep the view from inside unobstructed.
- 3) Consider the width of the shutter. Adding either 5 inches for mini rails or 6 inches for maxi rails is a good general rule to follow. Keep in mind, however, that this is only a guideline, and technical changes may be made when necessary.
- 4) Consider how power is supplied to the shutter and the location of any control switches. Consider Tape or Crank placement if manual.

If you have any questions about this measuring and planning guideline, please don't hesitate to contact us at (281)485-1911 or at Sales@rollac.com.

SHUTTER SYSTEM FRAME

SHUTTER SYSTEM FRAME



Copyright © 2017 Rollac

ROLLAC		NAME	DATE	PROJECT:
DRAWN	TRAVIS E.	2017/03/21		
CHECKED	STEFAN P.	2017/03/21		DESCRIPTION:
APPR.		YYYY/MM/DD		SYSTEM SPECIFICATION SHEETS FOR A200 SHUTTER SYSTEM.
UNLESS OTHERWISE SPECIFIED DIMENSIONS ARE IN INCHES				
ANGLES	.X	.XX	.XXX	
± .5	± .1	± .03	± .005	
THIRD ANGLE PROJECTION		SIZE DWG. NO.	REV	
		A	A200	A
		SCALE: NONE	WEIGHT: XX.XLBS	15 OF 15

Copyright © 2017 Rollac
V2.28.2017
ROLLAC ROLLING SHUTTERS
5331 W. ORANGE ST.
PEARLAND, TX 77581
TEL: 281-485-1911
WWW.ROLLAC.COM



Experience Technology Higher Standards

Since 1982, Rollac has operated with a vision of quality, service, and modern technology to produce the best possible product for our customers. Each product is custom manufactured for every single job to ensure the best fit and finish. Regardless if you are looking to enhance security, add comfort to a space, or seek protection from the elements, Rollac has the solution for your home or work environment.

ROLLAC 

5331 West Orange Street
Pearland, TX 77581

toll free 1.888.2-ROLLAC
phone 281.485.1911
fax 281.485.0839



www.rollac.com